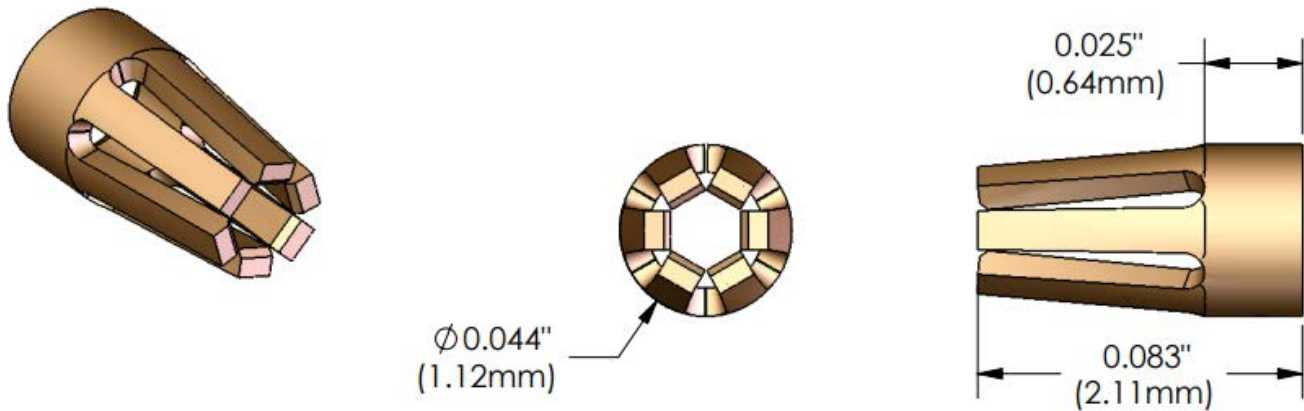


801 SERIES

SIX FINGER CONTACT CLIPS



TECHNICAL PRODUCT DATA

WEISS-AUG PART NUMBER	CLIP TYPE	TEST PIN DIAMETER	OPERATING RANGE PIN DIAMETER	MAXIMUM INSERTION FORCE	MINIMUM WITHDRAWAL FORCE	MATERIAL
1-2-3001-80101	801	0.018" (0.457mm)	0.016" - 0.026" (0.41mm - 0.66mm)	80g	30g	C17200
1-2-3001-80102	801L	0.018" (0.457mm)	0.016" - 0.026" (0.41mm - 0.66mm)	50g	20g	C17200
1-2-3001-80104	801SL	0.018" (0.457mm)	0.018" - 0.026" (0.46mm - 0.66mm)	35g	15g	C17200
1-2-3001-80110	801UL	0.018" (0.457mm)	0.018" - 0.026" (0.46mm - 0.66mm)	15g	5g	C17200

NOTES:

- All force data relates to unplated clips.
- Tests performed with polished steel bullet nose pins.
- All clips manufactured from BeCu alloy C17200 1/2 hard material, heat treated post forming.

Suffix Definitions: "L" = Low Force "SL" = Super Low Force "UL" = Ultra Low Force "H" = Heavy Force

