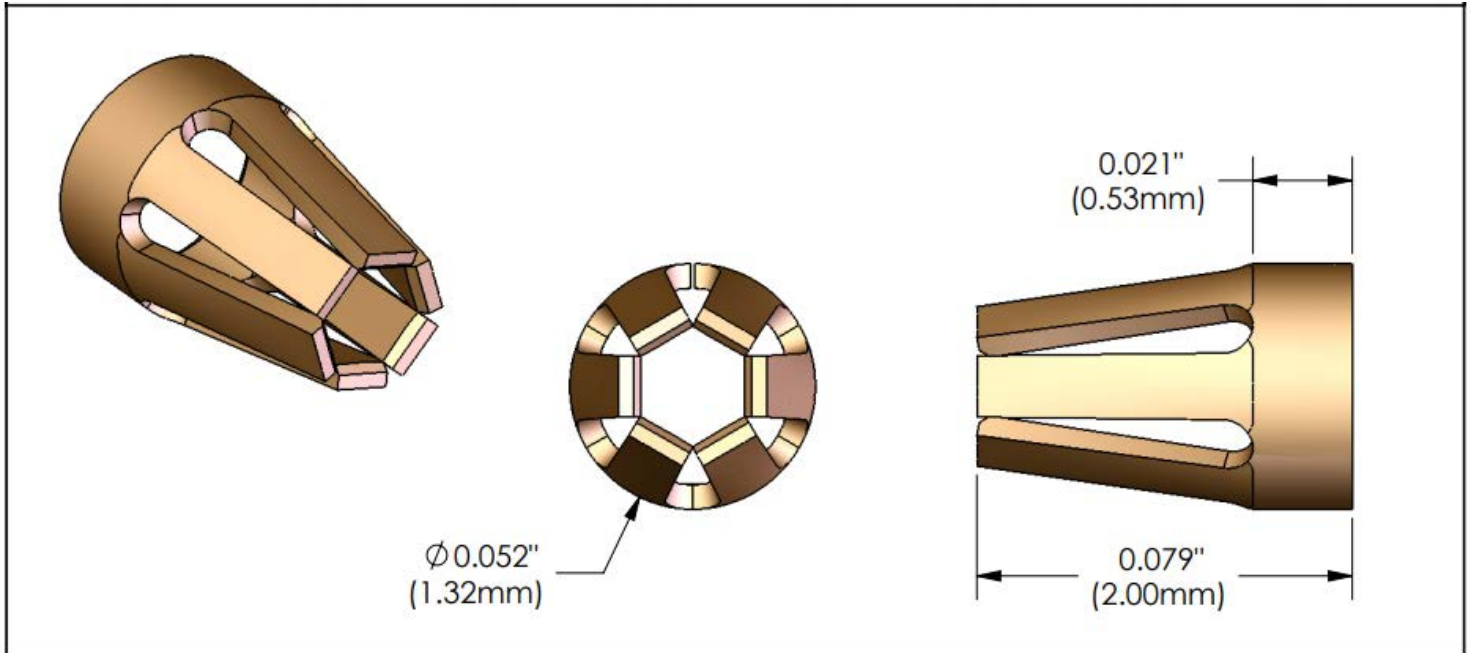


501 SERIES

SIX FINGER CONTACT CLIPS



TECHNICAL PRODUCT DATA

WEISS-AUG PART NUMBER	CLIP TYPE	TEST PIN DIAMETER	OPERATING RANGE PIN DIAMETER	MAXIMUM INSERTION FORCE	MINIMUM WITHDRAWAL FORCE	MATERIAL
1-2-3001-50102	501L	0.026" (0.660mm)	0.025" - 0.037" (0.64mm - 0.94mm)	100g	35g	C17200

NOTES:

1. All force data relates to unplated clips.
2. Tests performed with polished steel bullet nose pins.
3. All clips manufactured from BeCu alloy C17200 1/2 hard material, heat treated post forming.

Suffix Definitions: "L" = Low Force "SL" = Super Low Force "UL" = Ultra Low Force "H" = Heavy Force

