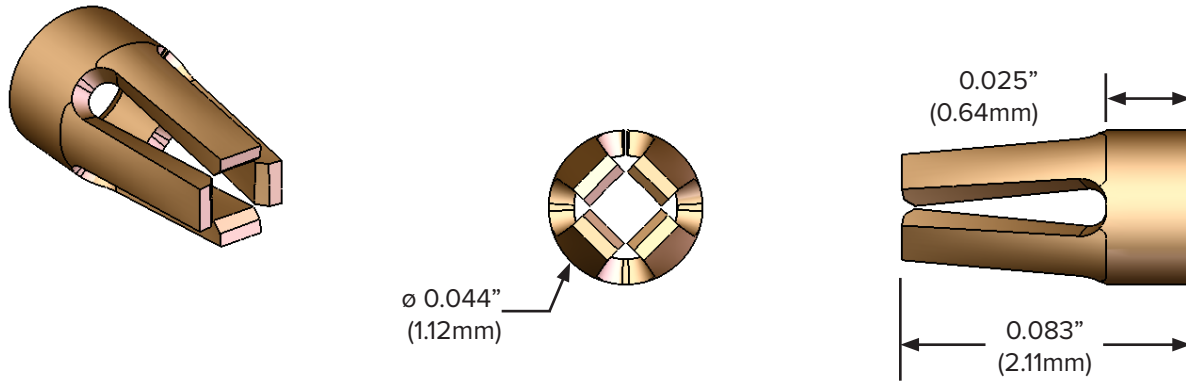


230 SERIES

FOUR FINGER CONTACT CLIPS



TECHNICAL PRODUCT DATA

WEISS-AUG PART NUMBER	CLIP TYPE	TEST PIN DIAMETER	OPERATING RANGE PIN DIAMETER	MAXIMUM INSERTION FORCE	MINIMUM WITHDRAWAL FORCE	MATERIAL
1-2-3001-23001	230	0.017" (0.432 mm)	0.015" - 0.023" (0.38mm - 0.58mm)	250g	50g	C17200
1-2-3001-23002	230L	0.017" (0.432 mm)	0.015" - 0.021" (0.38mm - 0.53mm)	150g	50g	ALLOY #174
1-2-3001-23003	230SL	0.017" (0.432 mm)	0.015" - 0.021" (0.38mm - 0.53mm)	60g	25g	C17200
1-2-3001-23007	230H	(SEE NOTE 5)	0.015" - 0.023" (0.38mm - 0.58mm)	450g	50g	C17200

NOTES:

1. All force data relates to unplated clips.
2. Tests performed with polished steel bullet nose pins.
3. 230, 230SL, and 230H manufactured from BeCu alloy C17200 1/2 hard material, heat treated post forming.
4. 230L manufactured from alloy #174.
5. 0.021" test pin used to check insertion force; 0.017" test pin used to check withdrawal force.

Suffix Definitions: "L" = Low Force "SL" = Super Low Force "UL" = Ultra Low Force "H" = Heavy Force

