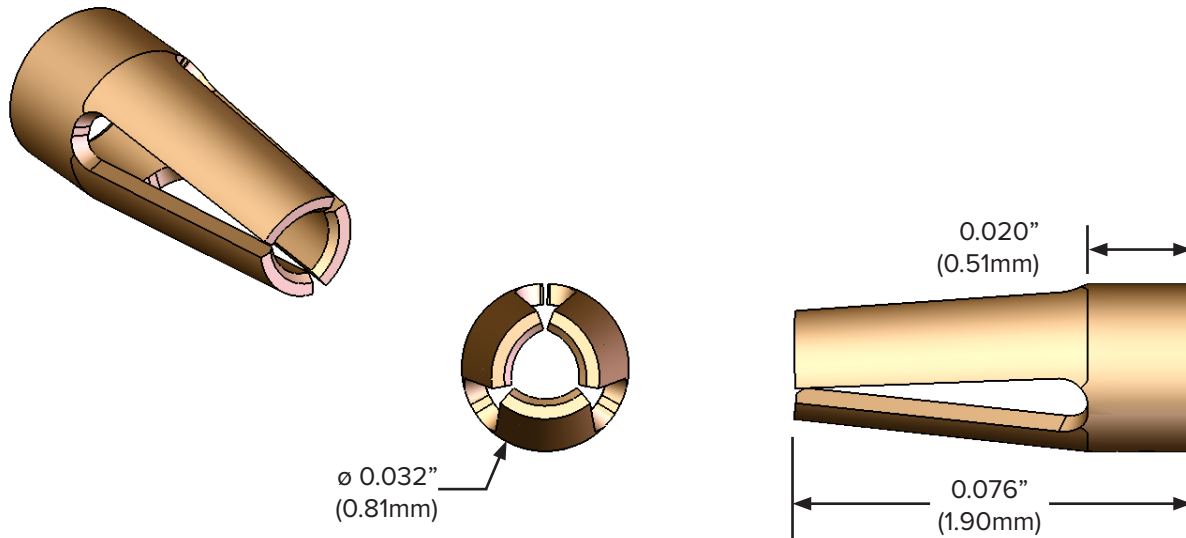


201 SERIES

THREE FINGER CONTACT CLIPS



TECHNICAL PRODUCT DATA

WEISS-AUG PART NUMBER	CLIP TYPE	TEST PIN DIAMETER	OPERATING RANGE PIN DIAMETER	MAXIMUM INSERTION FORCE	MINIMUM WITHDRAWAL FORCE	MATERIAL
1-2-3001-20101	201	0.018" (0.457 mm)	0.015" - 0.020" (0.38mm - 0.51mm)	140g	35g	C17200
1-2-3001-20102	201L	0.018" (0.457 mm)	0.015" - 0.020" (0.38mm - 0.51mm)	60g	20g	C17200
1-2-3001-20103	201SL	0.018" (0.457 mm)	0.015" - 0.020" (0.38mm - 0.51mm)	35g	15g	C17200

NOTES:

1. All force data relates to unplated clips.
2. Tests performed with polished steel bullet nose pins.
3. All clips manufactured from BeCu alloy C17200 1/2 hard material, heat treated post forming.

Suffix Definitions: "L" = Low Force "SL" = Super Low Force "UL" = Ultra Low Force "H" = Heavy Force

