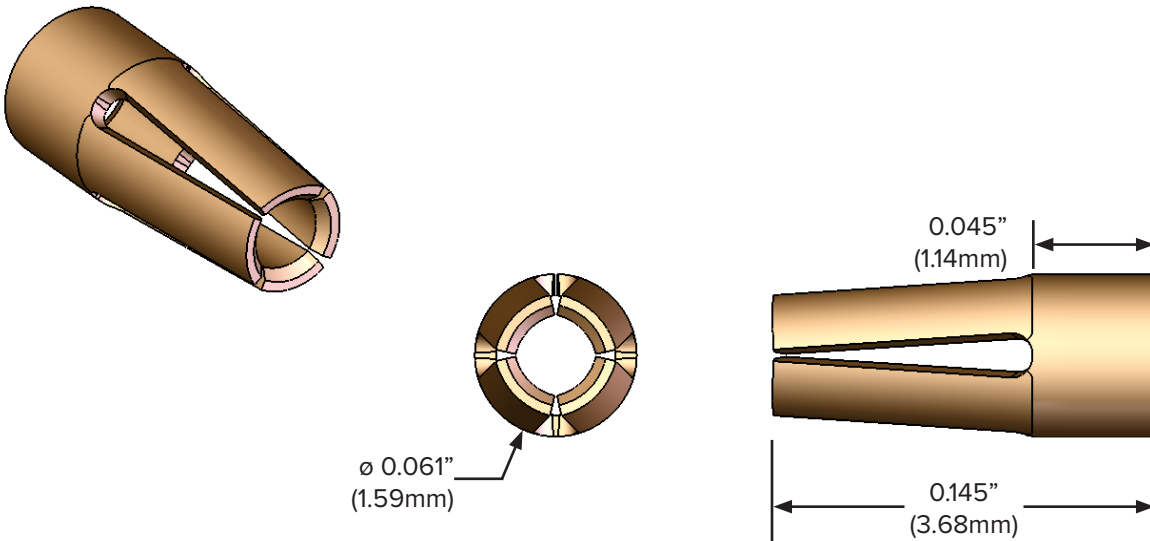


190 SERIES

FOUR FINGER CONTACT CLIPS



TECHNICAL PRODUCT DATA

WEISS-AUG PART NUMBER	CLIP TYPE	TEST PIN DIAMETER	OPERATING RANGE PIN DIAMETER	MAXIMUM INSERTION FORCE	MINIMUM WITHDRAWAL FORCE	MATERIAL
1-2-3001-19001	190L	0.032" (0.81 mm)	0.027" - 0.036" (0.69mm - 0.91mm)	90g	25g	C17200
1-2-3001-19003	190	0.032" (0.81 mm)	0.027" - 0.036" (0.69mm - 0.91mm)	300g	85g	C17200

NOTES:

- All force data relates to unplated clips.
- Tests performed with polished steel bullet nose pins.
- All clips manufactured from BeCu alloy C17200 1/2 hard material, heat treated post forming.

Suffix Definitions: "L" = Low Force "SL" = Super Low Force "UL" = Ultra Low Force "H" = Heavy Force

